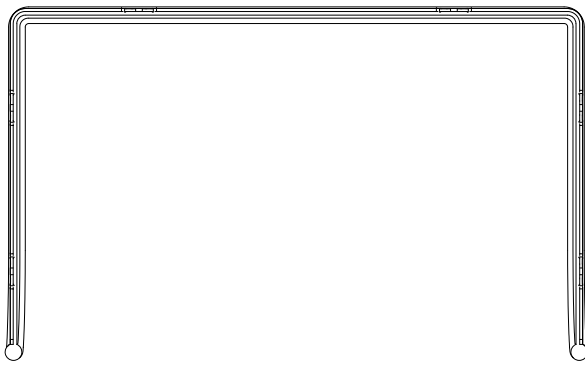
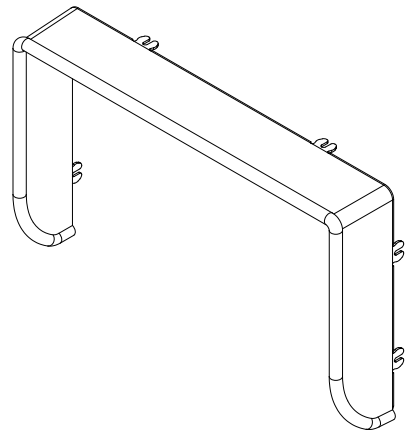
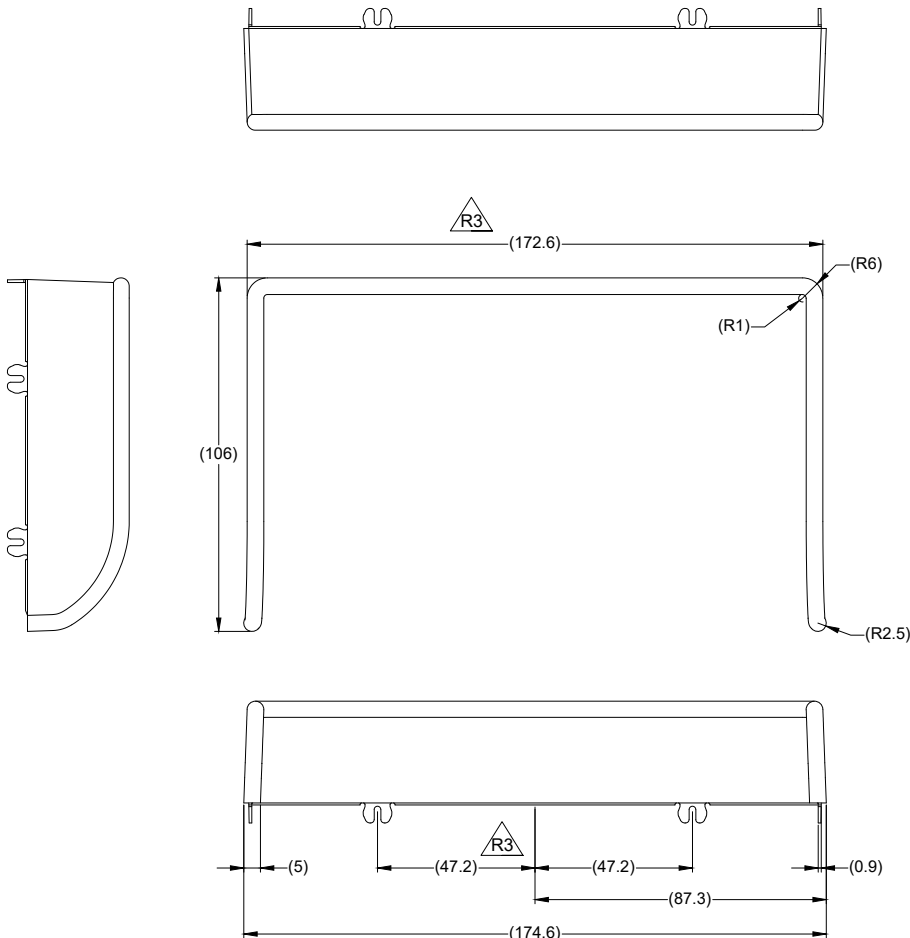


Revision Notes.

R1 - RADIUS INCORRECTLY DIMENSIONED ON SUNSHEILD CORRECTED.				
APA: WENFENG QIN	Drawn: M.BUTLER	Checked: R.BATES	Approved: B.JOHN	Date: 03/04/14
R2 - INCORRECT DIMENSIONS UPDATED - Q11295				
APA: J.LAM 21/05/19	Drawn: W.SINDEN	Checked: J.TYRRELL	Approved: D.WALLIN	Date: 17/05/19
R3 - CORRECTIONS TO DRAWING DIMENSIONS (AS PER P1360).				
APA: W.WU (17/09/2020)	Drawn: J.STEWART	Checked: S.GOVENDER	Approved: S.LAVER	Date: 17/09/2020



NOTES:
 1. FINISH: TEXTURED, MATT BLACK.
 2. MATERIAL: ABS-757.

PROPRIETARY NOTICE
 THIS DESIGN AND TECHNICAL INFORMATION APPEARING ON THIS DRAWING IS THE PROPERTY OF BRIGADE ELECTRONICS, AND IS DISCLOSED IN CONFIDENCE. IT IS NOT TO BE COPIED, REPRODUCED, REVEALED TO OR EXPROPRIATED BY OTHERS, EITHER IN WHOLE OR IN PART WITHOUT THE EXPRESS WRITTEN CONSENT OF BRIGADE ELECTRONICS.



Assembly Pl Approval DONGQING LIN (20/01/14)		Approved by B.JOHN		Checked by R.BATES		Drawn by M.BUTLER	
Angle of Projection 		Units mm	Scale N/A	Released 20/01/14	Assembly Ref 3202000074		
Third Angle		Status RELEASED		VBV-770M-SS			
		Part No 4523		BE-002625-03-13			